



**2-POLE TEMPERATURE  
LIMITER, PROTECTIVE GUARD  
VTL-02**

# 2-POLE TEMPERATURE LIMITER, PROTECTIVE GUARD VTL-02



These devices automatically switch off the current in the controlled circuit as the pre-set temperature limit is reached, thus preventing overheating. Once the deflection of the temperature regulation was repaired, in voltage-free state, the limiter / protective guard can be re-started manually.

Working temperature range: 0 - 355 °C

Areas of application:

- water heaters, hot water storage tanks

Trouble-free operation is conditioned by proper heat transfer between the protective limiter's sensor and the controlled medium.

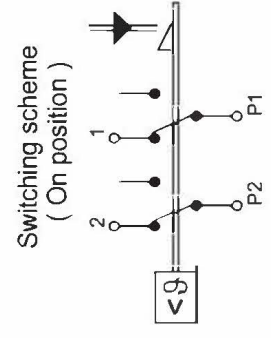
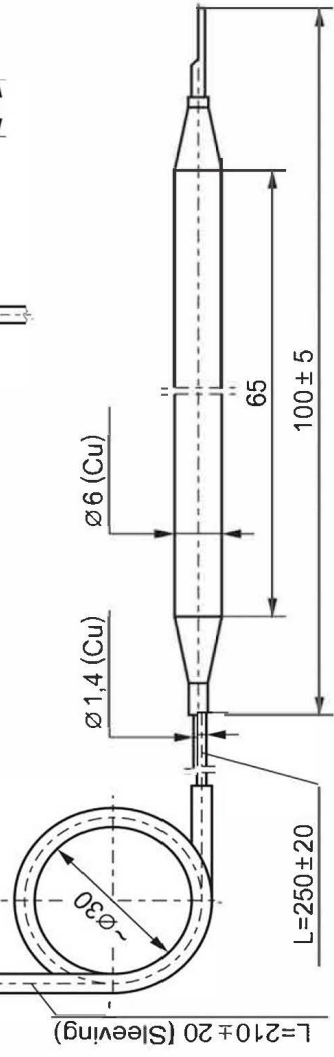
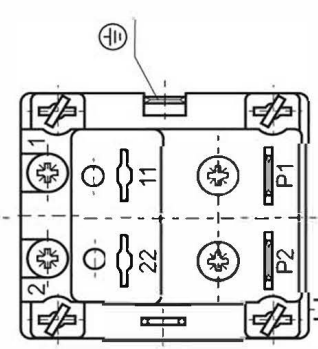
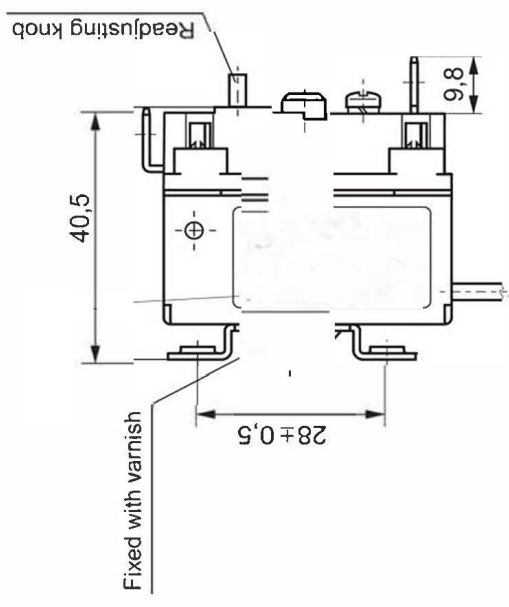
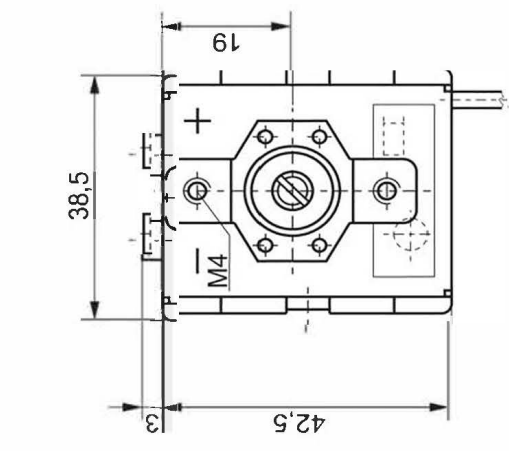
In case of capillary-damage or liquid-leakage, the device will cut the circuit one last time as positive safety-feature.

## TECHNICAL DATA

Lifetime:	1000 switching cycles	Electrical connections:	Blades, A 6,3x0,8
Switching power:	20(4)A-4(1)A/250 V~; 16(4)A-4(1)A/400 V ~	Sensor:	Tubular type: Cu: Ø5; Ø6; Ø6,5; Ø8 INOX: Ø3; Ø4; Ø6
Leakage current resistance:	≥ 175	Working range:	0-150 °C /50-355 °C
Way of operation	2 AG /2AGM	Capillary tube:	Ø 1,4 (Cu) / Ø 1 (INOX)
Max. temp. for the main unit:	85 °C / 150 °C	Capillary tube length:	250 – 2400
Protection class:	Class I. / IP 00	Max. sensor temperature:	Upper switching value +15%
Work environment:	Normal	Surface protection:	Galvanized
Heat and fire resistance:	D		

## TYPE-EXAMPLES

Type Code	Type mark	Switch-off temp. °C	Sensor ØDxL1/mm;/ Material	Capillary tube ØdxL2 /mm/	Protection tube L3 ± 20 /mm/	Wiring diagram M / A	Special accessory
VT-5286-0-103-1	VT-1SB20PM	110 -10	6 x 103 Cu	1,4 x 250	210	M	FL
VT-5286-0-103-5	VT-1SB20PM	110 -10	6 x 103 Cu	1,4 x 250	210	M	-
VT-5286-0-104-1	VT-1SB20PM	100 -10	6 x 103 Cu	1,4 x 550	480	M	-
VT-5286-0-108-1	VT-1SB21PM	242 -12	3 x 214 INOX	1 x 420	40	M	-



Drop-out temperature	: 110 <sup>0</sup> -0°C
Max. allowed sensor temp.	: 110+15%°C

Switching power 16(4)/A/400V~  
 Max. allowed amb. temp. 120°C

Beű	Műsítés	Vj.	Kelt	Műd.	Ell.	Rajzolta	Kelt	Alírás	Megvezés:	Típus:	VTL-02
						Ellenőrzte			Cut-out	Rejzszám:	
						Jóváhagyta			2 pole	Alszám:	0



# Contact Us

---

[www.vsol-controls.com](http://www.vsol-controls.com)

[info@vsol-controls.com](mailto:info@vsol-controls.com)

Made in Hungary