



1-POLE TEMPERATURE CONTROLLER "PLUS" VT-01P

1-POLE TEMPERATURE CONTROLLER "PLUS" VT-01P



These devices automatically switch off the current in the controlled circuit as the temperature is reached, and switch it on again as the temperature falls below the set threshold value. The temperature of the controlled medium is thus maintained within a narrow zone.

Working temperature range: 0 – 355 °C

Areas of application:

- water heaters, hot water storage tanks
- washing machines
- electric cooking hearths and domestic baking ovens

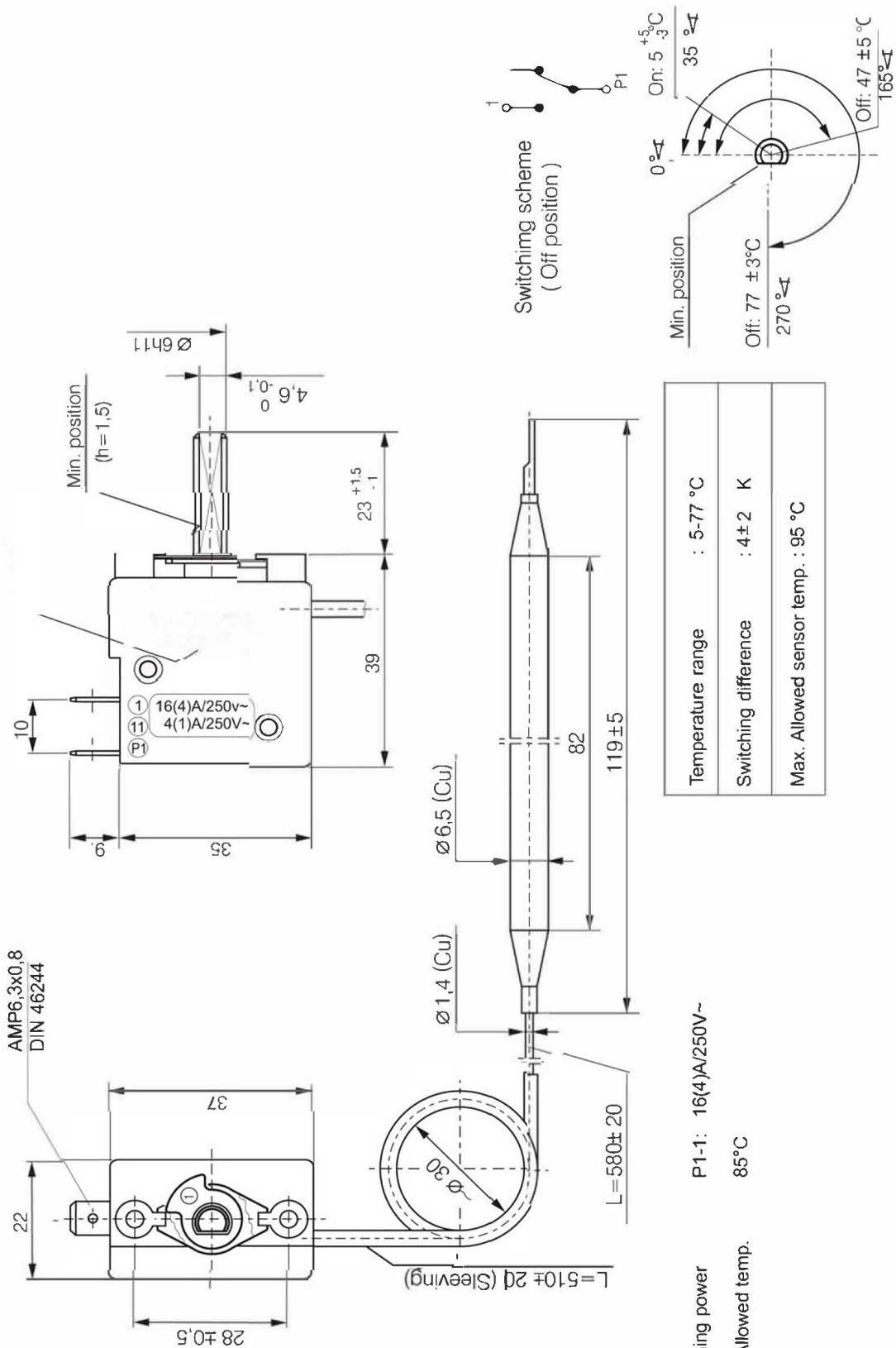
Trouble-free operation is conditioned by proper heat transfer between the controller's sensor and the controlled medium.

TECHNICAL DATA

Lifetime:	50.000 switching cycles	Working range:	-35-77 °C / 0-150 °C / 25-355 °C
Switching power:	16(4)A-4(1)A/400 ~V	Sensor:	Tubular: Cu: Ø 5; Ø 6; Ø 8 INOX: Ø 3; Ø 4; Ø 6
Way of operation:	2BL	Capillary tube:	Ø 1,4 (Cu) / Ø 1 (INOX)
Max.temp. for the main unit:	85 °C / 150 °C	Capillary tube length:	250-2400
Protection class:	Class I. / IP 00	Max. sensor temperature:	Upper switching value +15%
Operation environment:	Normal	Surface protection:	Galvanized
Heat and fire resistance:	D	Length of the shaft:	16 – 50
Leakage current resistance:	≥175	Electrical connections:	Blades, A 6,3x0,8

TYPE-EXAMPLES

Type Code	Type mark	Switch-off temp. °C	ΔT	Sensor ØD x L1/mm/ Material	Capillary tube Ød x L2 /mm/	Protection tube L3 ± 20 /mm/	Length of the shaft Lt /mm/	Wiring diagram M / A	
VT-5111-0-001-0	VT-20-M	5 - 80	0 -6	4 ± 2	6,5 x 113 Cu	1,4 x 565	485	16	M
VT-5111-0-001-1	VT-20-M	5 - 80	0 -6	4 ± 2	6,5 x 113 Cu	1,4 x 565	485	16	M
VT-5125-0-002-0	VT-30-M	50 - 320	+10 -2	8 ± 2	3 x 164 INOX	1 x 935	45	24	M
VT-5101-0-004-0	VT-10-A	-35 - 30	±3	2 ± 1,5	6,5 x 113 Cu	1,4 x 565	485	16	A
VT-5125-0-019-0	VT-30-M	50 - 190	±8	8 ± 2	4 x 128 INOX	1 x 665	15	24	M
VT-5111-0-024-0	VT-20-M	7 - 71	±3	4 ± 2	6 x 100 Cu	1,4 x 665	485	16	M
VT-5111-0-037-0	VT-20-M	20 - 120	±4	4 ± 2	5 x 132 Cu	1,4 x 935	255	16	M
VT-5111-0-038-0	VT-20-A	30 - 90	±4	6 ± 2	6,5 x 113 Cu	1,4 x 935	315	23	A
VT-5111-0-039-0	VT-30-M	60 - 160	±6	7 ± 3	6 x 100 Cu	1,4 x 935	255	16	M
VT-5111-0-043-0	VT-20-M	5 - 54		10 ± 4	6,5 x 116 Cu	1,4 x 565	485	16	M
VT-5111-0-049-0	VT-30-A	50 - 250	±6	10 ± 4	3 x 219 INOX	1 x 935	45	24	A



BeitG	Módosítás	Vj.	Kelt	Mód.	Ell.	Rajzolta	Kelt	Aláírás	Magnevezés:	Típus: VT-01P	
						Ellenőrzte				Rajzsám:	
						Jóváhagyta				Alszám: 0	
Thermostat 1 pole											



Contact Us



www.vsol-controls.com

info@vsol-controls.com

Made in Hungary